



Button LTE

LTE/4G Compact Puck Antenna

Features

- Very Compact Low Profile Antenna
- Supports 700-2700 MHz frequencies
- Stud/Permanent Mount
- Various Cable Length/Connector Options
- Mount On Metal Surface / Groundplane

Specifications

Radiating element	Groundplane Dependent Radiating Element
Frequency range	690-960/1710-2170/ 2500-2690 MHz
Peak gain	1.75 / 3.65 / 4.31 dBi
Polarisation	Linear
VSWR	<2.8:1
Power rating	10W
Cable / Connector	2M cable SMA-Male
Dimensions	62.7 x 27.5mm (dxh)

Ordering Options

FBTN35369-SM-1K	Button LTE antenna with 1M RG-174 and SMA-Male
FBTN35369-SM-2K	Button LTE antenna with 2M RG-174 and SMA-Male
FBTN35369-FM-2K	Button LTE antenna with 2M RG-174 and FME-Female

Specifications subject to change without notice.

5 Little Balmer
Buckingham Industrial Park
Buckingham
MK18 1TF
UK

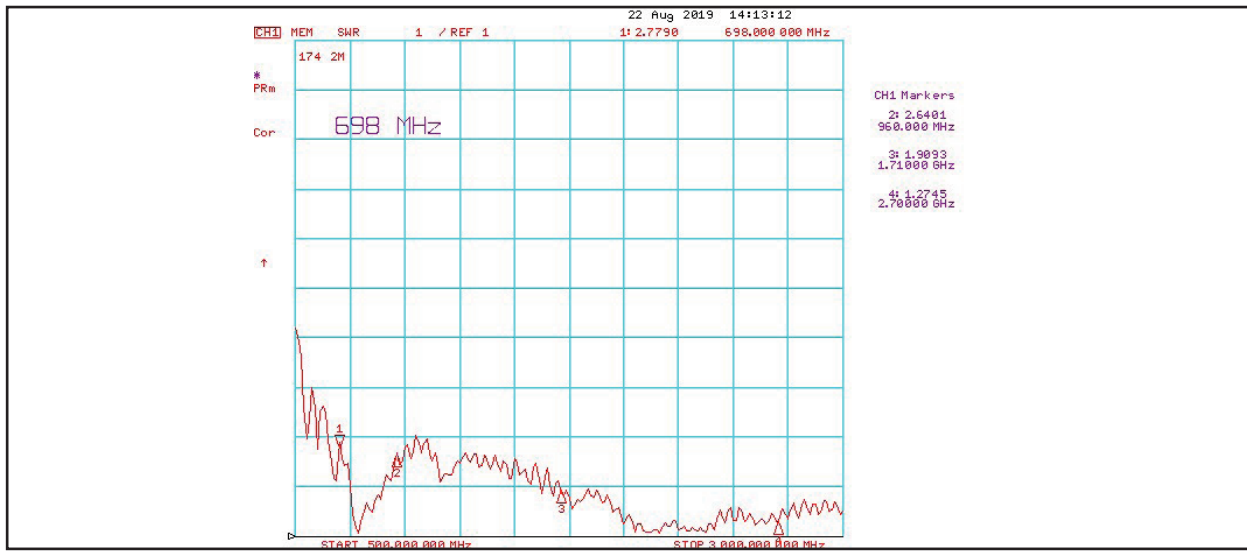
Tel: +44 (0)1280 824055
Email: sales@ead-ltd.com
Web: www.ead-ltd.com

EAD 
embedded antenna design ltd

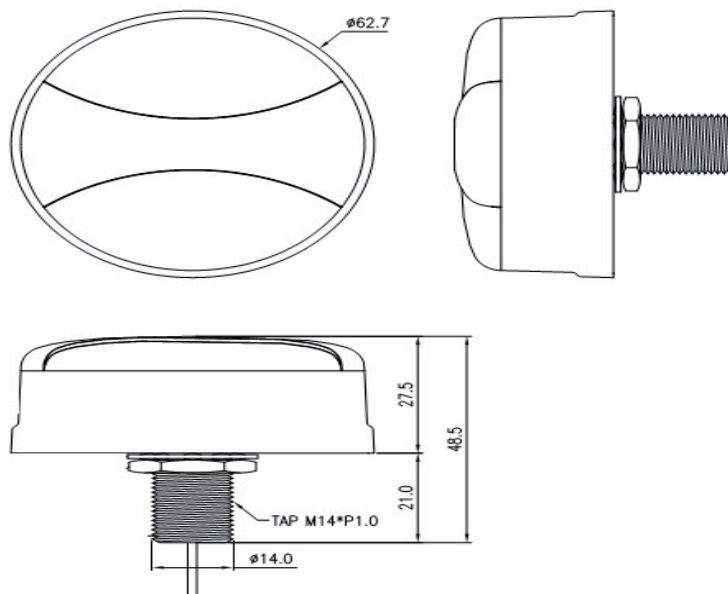


Button LTE | LTE/4G Compact Low Profile Antenna

Return Loss



Outline Drawing



Specifications subject to change without notice.

5 Little Balmer
Buckingham Industrial Park
Buckingham
MK18 1TF
UK

Tel: +44 (0)1280 824055
Email: sales@ead-ltd.com
Web: www.ead-ltd.com