



## BKR2100

### 3G/2.1 GHz Multiposition Antenna

#### Features

- ◆ Groundplane Independent
- ◆ External Mount Antenna
- ◆ Fixes in three positions
- ◆ Ideal for fixed terminals

#### Specifications

Radiating element	1/2 Wave Dipole
Frequency range	1.9 -2.17 GHz
Peak gain	2 dBi
Polarisation	Linear
Return loss	-12 dB
Power rating	10W
Cable / Connector	SMA-Male
Dimensions	139 x 13mm (max)

#### Ordering Options

FBKR35092-SM-KR	BKR2100 with SMA Connector
-----------------	----------------------------

Specifications subject to change without notice.

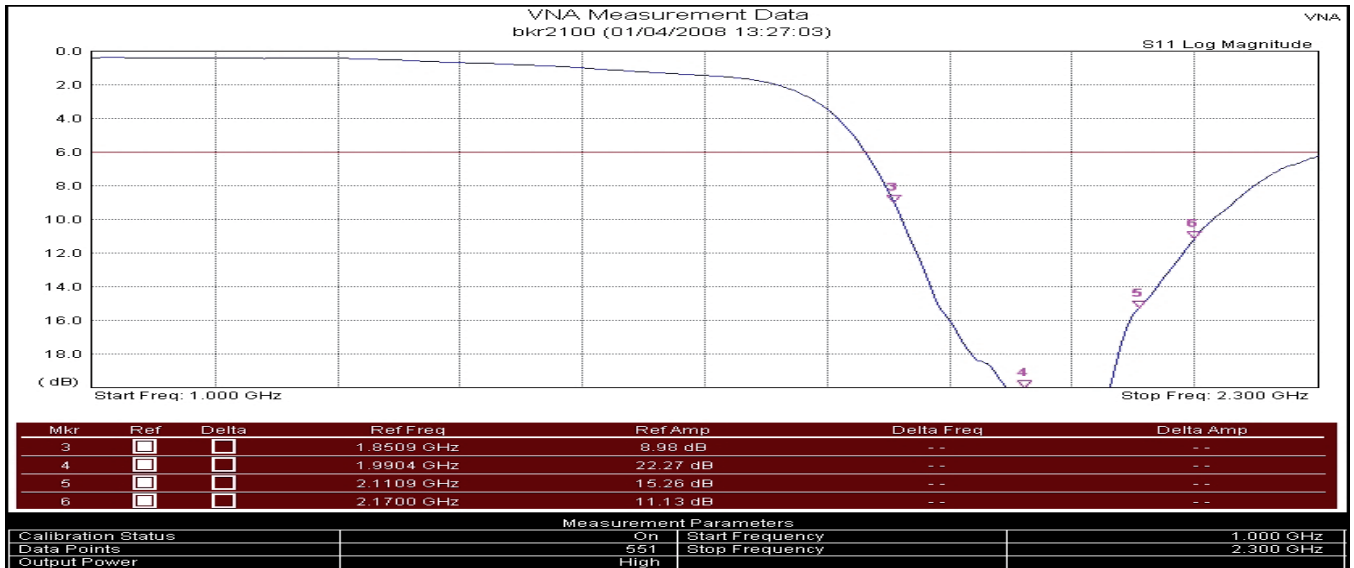
5 Little Balmer  
Buckingham Industrial Park  
Buckingham  
MK18 1HJ  
UK

Tel: +44 (0)1280 824055  
Fax: +44 (0)1280 817179  
Email: sales@ead-ltd.com  
Web: www.ead-ltd.com

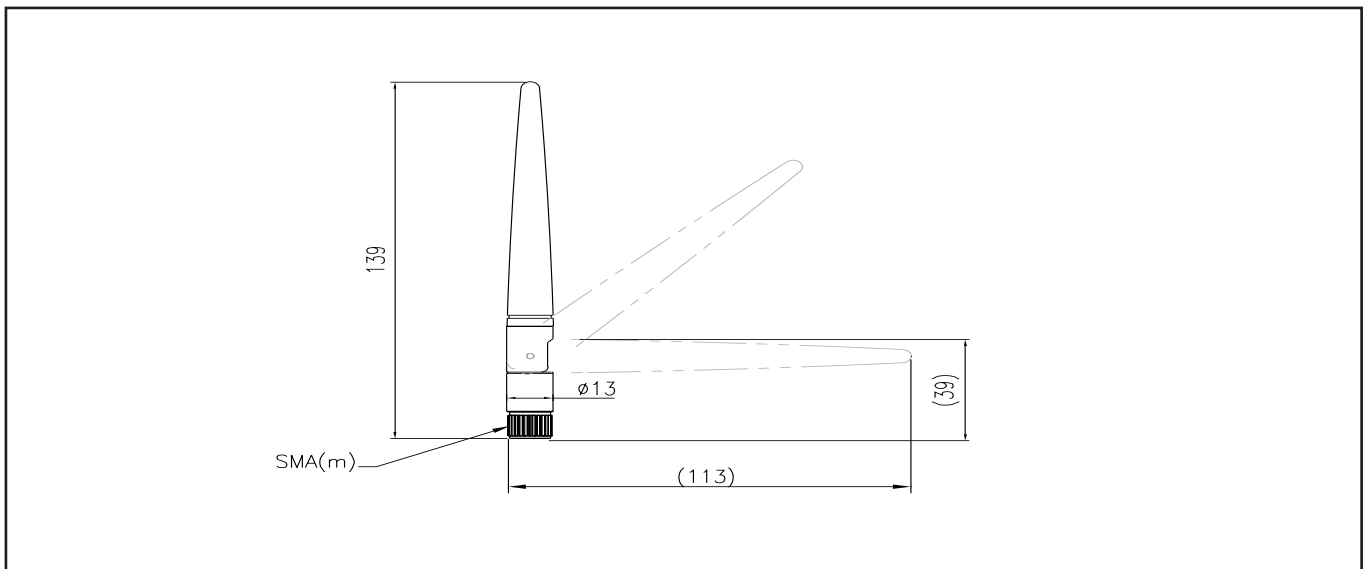


## BKR2100 | 2.1 GHz Multi-position Antenna

### Return Loss



### Outline Drawing



Specifications subject to change without notice.

5 Little Balmer  
Buckingham Industrial Park  
Buckingham  
MK18 1HJ  
UK

Tel: +44 (0)1280 824055  
Fax: +44 (0)1280 817179  
Email: sales@ead-ltd.com  
Web: www.ead-ltd.com