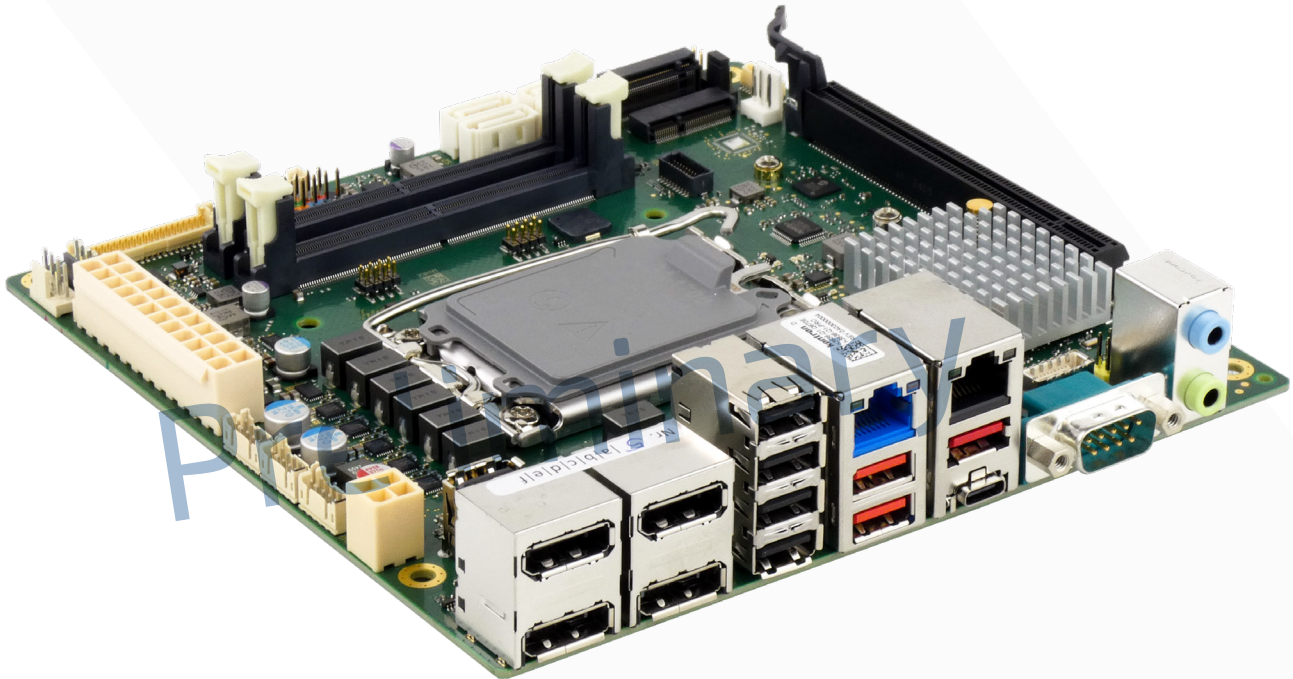


K3836-Q/R mITX

Industrial Series



Intel® Q670E/R680E Chipset and Intel® Core™ Processors (12th, 13th, 14th gen)

- ▶ Latest DDR5 memory technology for best-in-class system performance
- ▶ Intel® UHD Graphics 7xx driven by Xe Architecture; DPP-, eDP-, and LVDS- support
- ▶ Dual LAN 1GbE/2.5GbE incl. Teaming and TSN support
- ▶ M.2 Key-M & Key-E; Powerful USB 3.2 Gen2
- ▶ Combined ATX Standard PSU or Single 12V Supply

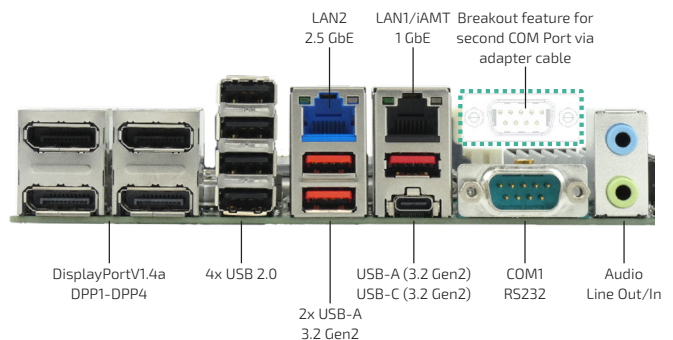
K3836-Q/R mITX Industrial Series

The K3836 mITX motherboard is the successor to the prosperous D3633-S. It combines the proven functionality of its popular forerunner with the latest Intel® Core™ processor generation and latest standards. Developed and produced in Germany, this motherboard offers two configuration options: The K3836-R is equipped with the high-performance Intel® R680E chipset with ECC support for mission-critical applications. The K3836-Q has

the equally powerful Q670E chipset onboard. Unleash unparalleled connectivity with the K3836, featuring 2x Intel® LAN (1x 2.5 GbE), PCIe x16 Gen5, multiple USB ports, M.2 or Display Ports supporting graphics up to 8K resolutions and much more. It is particularly reliable thanks to 24/7 continuous operation at temperatures up to 60° C. Therefore, it can be used for various applications in the fields of industry, medicine, infotainment and more.

- Intel® Core™ processor series (12th, 13th, 14th gen)
- DDR5-4800/5600 SODIMM, max. 96 GByte
- ECC Support with R680E chipset
- cTDP – Easy & flexible reduction of CPU TDP
- Supporting Intel® iAMT features and Intel® Time Coordinated Computing (TCC)
- PCI Express® x16 (Gen5 prepared)
- 1x Intel® GbE LAN, 1x 2.5GbE incl. Teaming and TSN
- Intel® UHD Graphics 7xx driven by Xe Architecture;
- 4x DisplayPort V1.4a up to 8K; 1x eDP V1.4b @4K; 1x Dual Channel LVDS
- HD Audio onboard
- Intel® integrated TPM V2.0
- 8 Bit GPIO; 4x COM port

- 6x USB 3.2 Gen 2, 7x USB 2.0
- 1x M.2 2242/2280 (Key-M, PCIe/NVME SSD modules)
- M.2 2230 (Key-E, WLAN/Bluetooth modules)
- BIOS-POST/-Boot & OS – HW Watchdog onboard



Technical Information

SYSTEM	PROCESSOR	Intel® Core™ processor series i9/i7/i5/i3 (12th, 13th, 14th gen) Intel® Pentium®/Intel® Celeron® processor series Socket LGA1700, max. 65 W TDP (For details on supported processors please refer to Kontron FTP Server) K3836-Q: Intel® Q670E K3836-R: Intel® R680E
	CHIPSET	
	MEMORY	2 SODIMM Sockets DDR5-4800/5600 ¹⁾ , max. 96 GByte, Dual Channel unbuffered
	MEMORY ECC SUPPORT	ECC supported by K3836-R with R680E only
VIDEO	GRAPHICS	Intel® UHD Graphics 7xx (depends on installed processor), 4x DisplayPort V1.4a up to 8K; 1x Embedded DP (eDP V1.4b up to 4K resolution) 1x Dual Channel LVDS (24 bit) Following max. display combinations are supported ²⁾ : 4x DPP, 3x DPP + eDP, 3x DPP + LVDS
AUDIO	AUDIO CODEC AUDIO INTERFACE	Realtek ALC256 High Definition Stereo Audio Codec ³⁾
NETWORK CONNECTION	ETHERNET 1	Intel® i219LM with 10/100/1000 MBit/s, iAMT features, Wake-on-LAN (WoL) by interesting Packets, Link Status Change and Magic Packet™, PXE Support, BIOS MAC Address Display, Teaming Support
	ETHERNET 2	Intel® i226LM with 10/100/1000/2500 MBit/s, TSN Support, Wake-on-LAN (WoL) by interesting Packets, Link Status Change and Magic Packet™, PXE Support, BIOS MAC Address Display, Teaming Support
PERIPHERAL CONNECTION	USB	Rear I/O: 3x USB 3.2 Gen2 (Type-A), 1x USB 3.2 Gen 2 (Type-C), 4x USB 2.0 (Type-A) Internal: 2x USB 3.2 Gen2 (Key-B header), 2x USB 2.0 (by header), 1x USB 2.0 Stick socket
	SERIAL PORT OTHER I/Os	1x RS232/422/485, 3x RS232 (1x rear I/O, 3x by headers) ⁴⁾ 8 Bit GPIO (Input/Output); WLAN LED support, WLAN enable/disable support 3.3 V/5 V/12 V supply voltage output; SMBus controller PCA9554A
STORAGE & EXPANSION	SATA M.2 PCIe/NVME M.2 WIRELESS PCIe/PCI SLOTS	4x Serial ATA III 600 Interface (up to 6GBit/s), NCQ, AHCI, 1x M.2 2242/2280 (Key-M, PCIe/NVME SSD modules) 1x M.2 2230 (Key-E, WLAN/Bluetooth modules, PCIe + USB) PCIe x16: 1x 16 lanes, Gen5 ⁵⁾ , Support for lane split (x16 or x8+x8)

¹⁾ Support for DDR5-5600 requires Intel® Core™ i7 or i9 processor (13th gen) and single rank SO-DIMM modules

²⁾ Simultaneous use of LVDS and eDP is not supported.

³⁾ 5.1 surround sound is supported via DisplayPort or S/PDIF

⁴⁾ COM1 (Rear I/O), COM3 and COM4 (by header): Full RS232 feature support

COM2 (by header): RS232/RS422/RS485 feature support

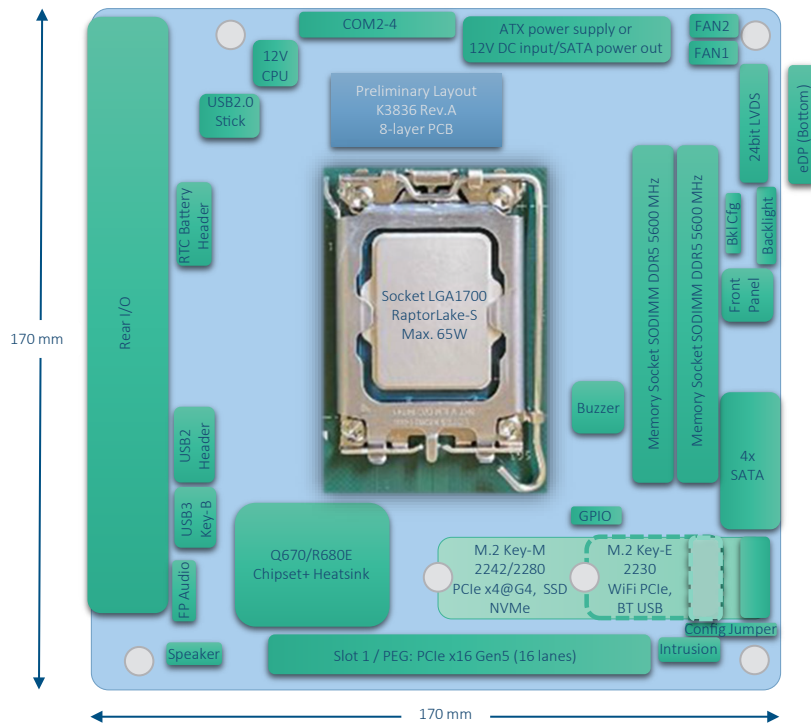
⁵⁾ PCIe x16 slot: Gen5 ready

POWER	INPUT VOLTAGE CONNECTOR	Dual supply option: Single 12 V PSU ("DC In") or Standard ATX Multirail PSU 24-pin ATX socket plus 4-pin socket for CPU
FIRMWARE	BIOS	AMI Aptio 5.x (UEFI) BIOS modified and adapted by Kontron; Recovery BIOS, SM-BIOS (DMI), BIOS and CPU Microcode Update, Quick Boot, Logo Boot, Quiet Boot, Plug & Play, Automatic DRAM and PCIe Configuration, BIOS Support for S.M.A.R.T., Advanced Power Management, ACPI S3/S4, Modern Standby S0ix, Wake on time from S5. No legacy OS support, no MBR installation (UEFI only)
	WATCHDOG	BIOS POST-/BIOS BOOT-/OS-HW Watchdog
	REAL TIME CLOCK	Integrated
	TPM	TPM V2.0 (Intel® integrated)
SYSTEM CONTROL	FP HEADER	1x Header for Reset button, HDD LED & External Speaker, Power button, Power LED
	SECURITY	Recovery BIOS, System and BIOS Password, Boot Sequence Control, Serial/USB-Port Access Protection, Write Protection for Flash BIOS, EraseDisk (BIOS Feature), Trusted Platform Module (TPM)
SOFTWARE	OS SUPPORT	MS Windows 10, MS Windows 11, MS Windows 10 IOTG, Linux-64 No legacy OS support, no MBR installation (UEFI only)
MECHANICAL	DIMENSIONS (L x W)	Mini-ITX: 6.7" x 6.7" (170 x 170 mm)
ENVIRONMENTAL	OPERATION TEMPERATURE	0 °C - 60 °C
CERTIFICATION	EMC & SAFETY	Planned: cTÜVus acc. IEC62368-1, CE Class B incl. Industrial Immunity, UKCA, FCC-B verified

Power Supply Requirements

SOURCE	VOLTAGE	MIN. PS LOAD	MAX. VOLTAGE TOLERANCE	MOTHERBOARD CAPACITIVE LOAD	MOTHERBOARD MAX. CURRENT (continuous)*
Main Power Supply (Multirail PSU)	+ 12 V	0.05 A	± 5 %	1.900 µF	10 A
	- 12 V	n.a.	n.a.	-	Not used
	+ 5 V	0.2 A	± 5 %	1800 µF	4.5 A
	+ 3.3 V	0 A	± 5 %	500 µF	0.5 A
	+ 5 Vaux	0 A	± 5 %	1800 µF	2.5 A
Single 12V DC	+ 12 V	0 A	± 5 %	1.900 µF	13 A

*) Max. motherboard input current incl. processor and DRAM memory. Additional power for drives, USB devices, PCIe cards, eDP etc. is not included!
 Note: BIOS provides option to reduce CPU TDP/Turbo power in order to use PSU with limited loadability.
 Processor 65 W TDP: Max. Cont. Current < 13 A; max. Surge Current = 26 A (full Turbo Mode)
 Processor 35 W TDP: Max. Cont. Current < 8 A; max. Surge Current = 20 A (full Turbo Mode)



Technical Details

FEATURES		Mini-ITX / Q670E or R680E
	Board Size / Chipset VGA / DVI / DPP / LVDS / eDP Stereo Audio / 5.1 Multichannel Audio / Front Panel Audio Buzzer / int. Speaker Support (mono) GbE LAN / 2.5GbE LAN / Dual 2.5GbE LAN WoL / LAN Boot / Teaming / TSN Intel® Standard Manageability / iAMT / vPro SATA / SATA RAID / M.2 SSD (NVME) / NVME RAID USB 2.0 / USB 3.2 Gen1 / USB 3.2 Gen2 / USB 3.2 Type-C FAN controlled & monitored CPU / AUX1 / AUX2 / AUX3 TEMP monitored CPU / Onboard Sensors / External Sensor	- / - / + / + / + + / - / + + / + + / + / - + / + / + / + + / + / - + / + / + / + + / - / + / + + / + / - / - + / + / -
	SPECIAL FEATURES	+ / + / + + / + / + + / + / + + / + / + + + + / - 0 °C – 60 °C
	INTERNAL CONNECTORS	2 / (+) ² 1 / + 4 / 1 / - 1 1 / - 1 2 / 2 / 1 / 0 1 / 1 / - / - 1 / 1 / 1 3 / - / - 1 Via ATX connector (Single 12V mode) + / + / -
	EXTERNAL CONNECTORS	- / - / - / 4 - / 1 / 1 2 - / - 4 / 0 / 4 1 -

¹⁾ Forced cooling required, see technical documentation for details
²⁾ ECC support only with R680E chipset on K3836-R
³⁾ Each internal USB connector (pin header) provides two USB ports (except for USB stick socket)
⁴⁾ COM2 with RS232/RS422/RS485 support, COM3+COM4 with RS232 support

Ordering Information

K3836-Q/R mITX

ARTICLE	PART NO.	DESCRIPTION
K3836-Q mITX	F5120-V197	Intel® Core™ processor series (12th, 13th, 14th gen), Intel® Q670E Chipset
K3836-R mITX	F5120-V198	Intel® Core™ processor series (12th, 13th, 14th gen), Intel® R680E Chipset

Accessories

RISERCARD	S26361-F5000-R006	1x PCIe x4 (D3318-A)
INTERNAL SERIAL CABLE	S26361-F5000-K010	400 mm; fullsize slot bracket
SLIM HEATSINK LGA1700 65W	F5000-C030	Box contains 40x cooler plus 40x backplate
M.2 KEY-E/A SATA ADDON	F5000-M004	AddOn for M.2 Key-E/A slot to provide two SATA 6G ports, Kit contains 40 x adapter K1201-A
INTERNAL USB KEY-B TO IDC20 HEADER CABLE	F5000-C020 (tbd)	Adapter cable for USB Key-B header to provide standard IDC20 USB3 frontpanel header.

Global Headquarters

Kontron Europe GmbH

Gutenbergstraße 2
85737 Ismaning, Germany
Tel.: + 49 821 4086-0
info@kontron.com

www.kontron.com

kontron
The Power of IoT